

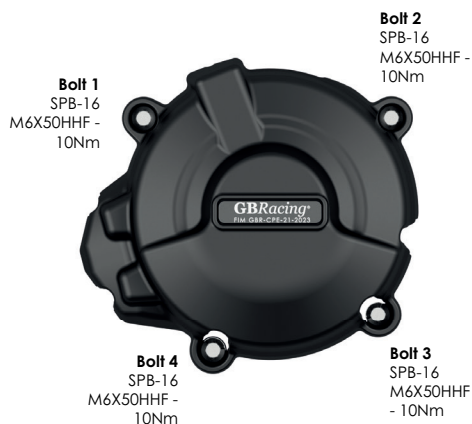
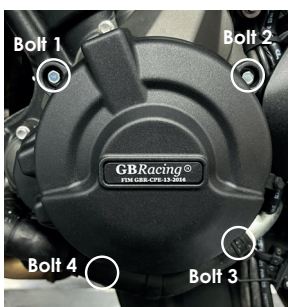
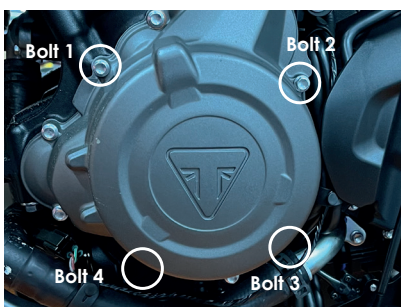
**THIS SHEET INCLUDES FITTING INSTRUCTIONS FOR THE FOLLOWING PARTS:**

Secondary Alternator Cover Part No. EC-D660-2024-1-GBR / Secondary Clutch Cover Part No. EC-T660-2021-2-GBR / Secondary Pulse Cover Part No. EC-T660-2021-3-GBR

**Note: Manufacturer advises to use thread lock on all bolts.**

**SECONDARY ALTERNATOR COVER - PART NO. EC-D660-2024-1-GBR**

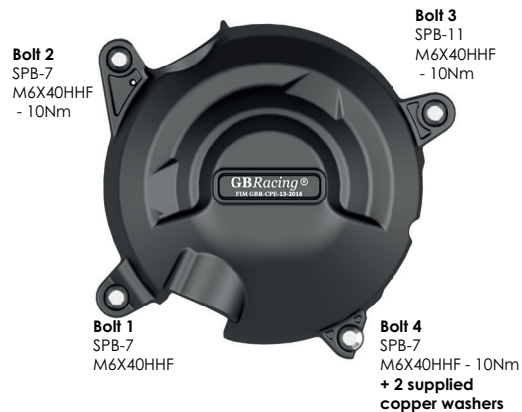
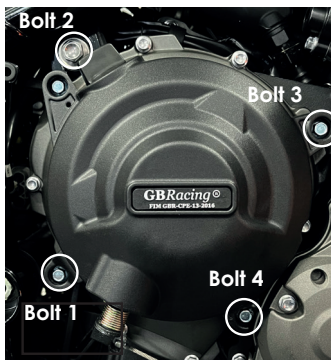
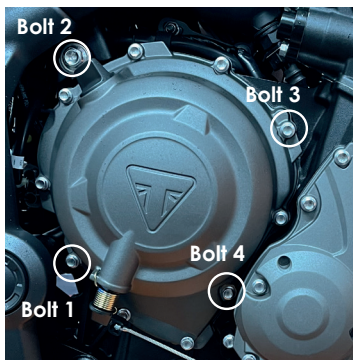
- 1 Remove 4 bolts as shown in from stock OE Alternator cover.
- 2 Place the Secondary Alternator Cover over the stock cover and assemble 4 replacement M6X50HHF bolts.
- 3 Tighten bolts to a Torque of 10 Nm as per manufacturer's recommendations. DO NOT OVERTIGHTEN.



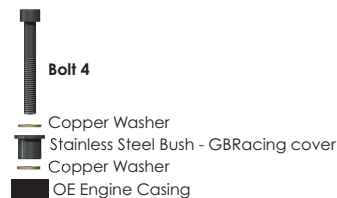
**SECONDARY CLUTCH COVER PART NO. EC-T660-2021-2-GBR**

**PLEASE NOTE:** When fitting on the **TIGER 660 MODEL**, the plastic cover on the frame will need to be removed to fit the clutch cover and then be replaced.

- 1 Remove 4 bolts as shown from stock OE Clutch cover.
- 2 Place the Secondary Clutch Cover over the stock cover and assemble 4 replacement M6X40HHF bolts. At **Bolt 4**, please assemble the **two supplied copper washers** as shown in **Fig.1** when fitting the bolt.
- 3 Tighten bolts to a Torque of 10 Nm as per manufacturer's recommendations. DO NOT OVERTIGHTEN.

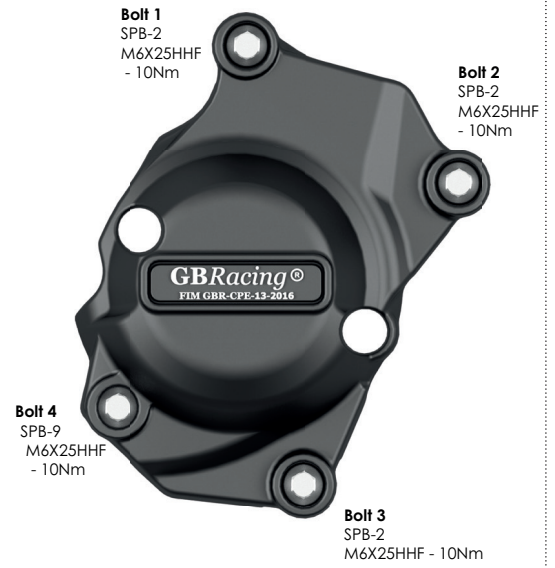
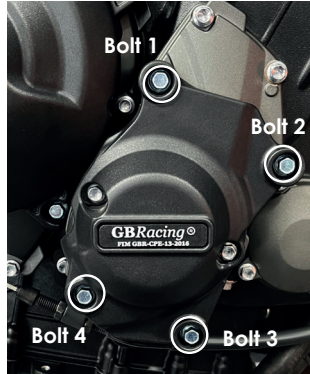
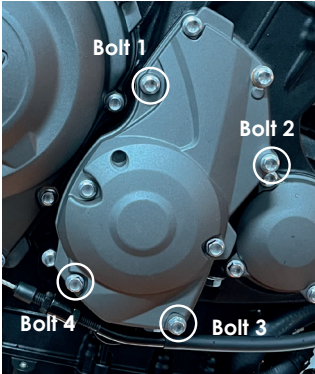


**Fig. 1**



**SECONDARY PULSE COVER PART NO. EC-T660-2021-3-GBR**

- 1 Remove 4 bolts from stock OE Pulse cover.
- 2 Place the Secondary Pulse Cover over the stock cover and assemble 4 replacement M6X25HHF bolts.
- 3 Tighten bolts to a Torque of 10 Nm as per manufacturer's recommendations. **DO NOT OVERTIGHTEN.**

**Fig.1****Engine Cover Set: EC-D660-2024-SET-GBR**

EC-D660-2024-1-GBR, EC-T660-2021-2-GBR, EC-T660-2021-3-GBR